



# MH 19" Wallmount Cabinets

Data/Telecom & Fiber Optic Systems

## One Man Installation Cabinets

The MH Wall Mount Rack is easy to install on the wall. The door and the side panels are easy to remove for easy access to the rack during assembly. There are adjustable 19" profiles with "U" height labeling at the front and rear. The door can be fitted left or right. If you don't have the time to assemble the rack yourself, then we can do this for you!

### Features

- Flat Packed, assembled on demand
- 10U 450mm deep
- 10U, 15U, 20U and 27U 600 deep
- Glass, Steel or Square hole doors
- Sliding 19" mounting angles with "U" height labeling on front and rear
- Standard cable entry top and bottom
- Rear panel included
- Easy one man installation
- Heavy duty construction, 60 Kg (UDL)
- Lockable side panels
- Side latches on the side panels
- 4 keys delivered with the cabinet

### Material

- Top and base panel 1.2mm
- Side panels 1.2mm
- Framework 1.2mm
- 19" mounting angles 1.5mm
- Matching lock configuration on side panels
- Individual lock on front door
- Chassis support (L RAIL) Max. load 20 Kg one pair included

### Specifications

- Powder Coated RAL 9004
- Protected against rust
- UDL (Uniformly Distributed Load) 60 Kg
- IP20

### Ordering Information

Add the following behind the partnr. to specify the type of door.

- GD = Glass Door
- SD = Steel Door
- PD = Square hole Door

Part nr.	Units	H	W	D	Weight
MHB0110	10U	533	600	450	25Kg
MHB0210	10U	533	600	600	30Kg
MHB0215	15U	766	600	600	35Kg
MHB0220	20U	1010	600	600	40Kg
MHB0227	27U	1300	600	600	45Kg



Removable side panels and door



Adjustable 19" mounting angles with "U" height labeling



Lockable sides



Side latch

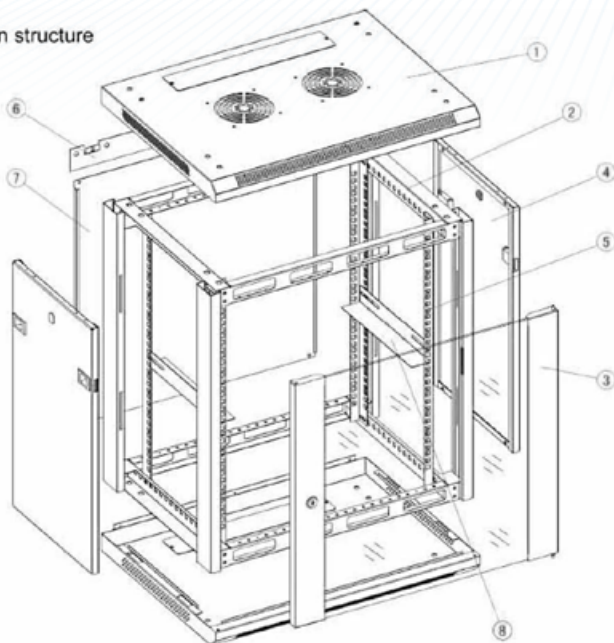


Large cable entry on top and bottom

See next page...



## Main structure



1. Top cover
2. Frame
3. Tempered glass door
4. Side door
5. Mounting rail
6. Hanger
7. Back panel
8. L rail

### • Industrial Automation & Services

Data Loggers  
 Ethernet I/O and PAC's  
 Industrial PC's  
 I/O for Allen Bradley  
 PC based I/O

### • Human/Machine Interfaces & Monitors

Keyboards & Pointing Devices  
 Monitor Mounts  
 Monitors  
 Operator Terminals

### • Data/Telecom & Fiber Optic Systems

Cabinets & Server Racks  
 Cable Management  
 Fiber Optic Products (FtTX)  
 Hubs, Switches & KVM Solutions  
 Identification, Labelling & Tools  
 Structured Cabling Systems

### • Power Supplies & Power Management

Flexible Power Distribution  
 Power Distribution  
 Power Supplies

### • Components

Cable Ties  
 Cables, Adaptors & Accessories  
 Connectors  
 Fans, Boards & Enclosures  
 Pillars & Spacers  
 Relays, Resistors & Transformers

## Wall mount bracket measurements



Install wall mount bracket



Easy mounting of the wall cabinet on the wall mount bracket

## Equipment Installation

- Drill and mount wall bracket into the desired position:
  - Minimum of 5mm screws (not included)
  - Maximum of 8mm screws (not included)
- Simply fit cabinet onto the bracket hooks
- Secure bracket with the internal screws

## Options & Accessories

Partnr.	Description
1UCABLEBAR	1U 4 ring cable bar
2UCABLEBAR	2U 4 ring cable bar
1UCABLEBAR	1U recessed 4 ring cable bar
1UBRUSHSTRIP03	1U Brush strip
166C0160000	1U blanking panel unvented
166C0260000	2U blanking panel unvented
166C0360000	3U blanking panel unvented
166C0460000	4U blanking panel unvented
166C0560000	5U blanking panel unvented
167C0160000	1U blanking panel vented
167C0260000	2U blanking panel vented
167C0360000	3U blanking panel vented
167C0460000	4U blanking panel vented
167C0560000	5U blanking panel vented



Mulder-Hardenberg, est. 1927, is the answer to professional demands in the domain of electronic related environments. We don't just sell products. We use our multidiscipline knowledge to provide the best possible solution, designed to your specific interest.

### Contact details:

The Netherlands  
 Mulder-Hardenberg B.V.  
 Westerhoutpark 1a  
 2012 JL Haarlem  
 Tel.: +31 23 531 91 84  
 infoNL@m-h.biz

Belgium, France, Luxemburg  
 Mulder-Hardenberg N.V.  
 Hoge Weg 129  
 B-2940 Stabroek  
 Belgium  
 Tel.: +32 3 660 13 20  
 infoBE@m-h.biz

Germany  
 Mulder-Hardenberg GmbH  
 Nordring 13  
 D-65719 Hofheim/Ts  
 Tel.: +49 6192 - 97 91 85  
 infoDE@m-h.biz