

15" RACKMOUNT MILITARY MONITOR

29LR153A35MP-M

DATASHEET

HIGH QUALITY, RUGGED MILITARY DISPLAY

KME has Militarised a high resolution TFT panel to develop a rack-mount monitor suitable for military applications. Resolutions up to 1024 x 768 pixels can be displayed with superb image quality.

To aid installation, flexible mounting combinations include front rack-mount, VESA standard fixings at the rear and a separate mounting bracket for Control Desk or Overhead positioning. The Monitor is manufactured in full compliance with Mil-STD-461E, Mil-STD-810F and IEC 60945.

SOLUTIONS FOR THE MILITARY ENVIRONMENT

- > Designed to comply with MIL-STD Shock, Vibration and EMC
- > Advanced Deep Dimming 2000:1
- > Contrast Enhancing AR Safety Glass
- > VGA – XGA & PAL/NTSC



15" RACKMOUNT MILITARY MONITOR

29LR153A35MP-M

DATASHEET

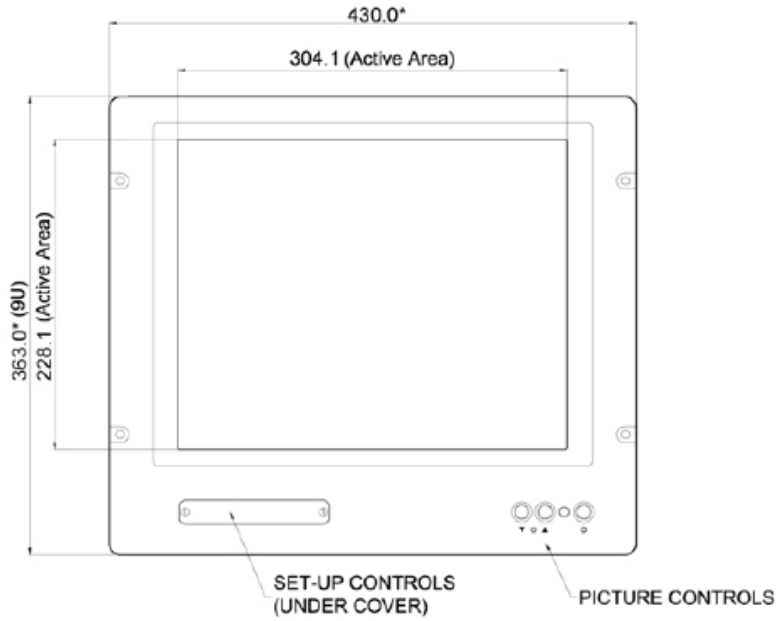
Electrical Description		Mechanical Description	
TFT Characteristics:	Type:	15" a-Si AM TFT	Dimensions: Monitor: 430(w) x 363(h) x 95(d) mm (approx) Weight: 12kg approx
	Max Resolution:	1024 x 768 pixels	Housing Aluminium with toughened safety glass
Active Display Area:	304.1 x 228.1mm	Environment	
Response Time:	13ms		Operating Temp: 0°C to +50°C
Contrast Ratio:	450:1 typical	Storage Temp: -20°C to 65°C	
Brightness:	250cd/m ² typical	Sealing: IP65min	
Viewing Angles (at CR>10):	130° / 110°	Operating Humidity: 50% to 90% (non condensing)	
No. Colours:	16.7 million	Storage Humidity: 28% to 90% (non condensing)	
Connector:	MIL type	Emission: Mil-STD-461E Immunity: Mil-STD-461E Safety: EN 60950 Shock: Mil-STD-810F Vibration: Mil-STD-810F Marine: IEC 60945	
Synchronisation Range:	Horizontal scan: 15kHz (PAL) - 63.81kHz Vertical scan: 56 - 60Hz		
Display Modes:	640 x 480 800 x 600 1024 x 768 (recommended mode)		
Controls:	Front panel		
Power Supply:	90-265V AC 50-60Hz		
Power Consumption:	50W (Max)	Part Numbers:	
		Model number: 29LR153A35MP--M DC Monitor: 29LR153D35MP-M AC Touchscreen (resistive): 29LR153AR35MP-M DC Touchscreen (resistive): 29LR153DR35MP-M	
Due to a policy of continuous product development KME reserves the right to change specifications and descriptions without prior notification. All trademarks acknowledged.			

15" RACKMOUNT MILITARY MONITOR

29LR153A35MP-M

DATASHEET

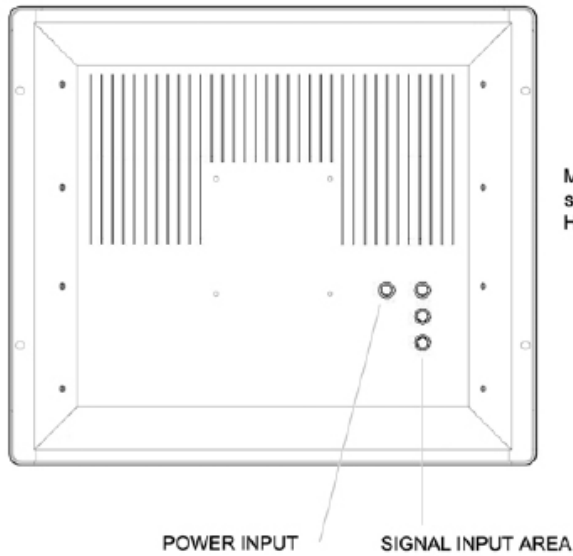
FRONT VIEW



SIDE VIEW



REAR VIEW



M4 Fixings on VESA standard (100mm) Hole centres.

* All dimensions are approximates in millimetres (Not to scale)

15" RACKMOUNT MILITARY MONITOR

29LR153D35MP-M

DATASHEET

HIGH QUALITY, RUGGED MILITARY DISPLAY

KME has Militarised a high resolution TFT panel to develop a rack-mount monitor suitable for military applications. Resolutions up to 1024 x 768 pixels can be displayed with superb image quality.

To aid installation, flexible mounting combinations include front rack-mount, VESA standard fixings at the rear and a separate mounting bracket for Control Desk or Overhead positioning. The Monitor is manufactured in full compliance with Mil-STD-461E, Mil-STD-810F and IEC 60945.

SOLUTIONS FOR THE MILITARY ENVIRONMENT

- > Designed to comply with MIL-STD Shock, Vibration and EMC
- > Advanced Deep Dimming 2000:1
- > Contrast Enhancing AR Safety Glass
- > VGA – XGA & PAL/NTSC



15" RACKMOUNT MILITARY MONITOR

29LR153D35MP-M

DATASHEET

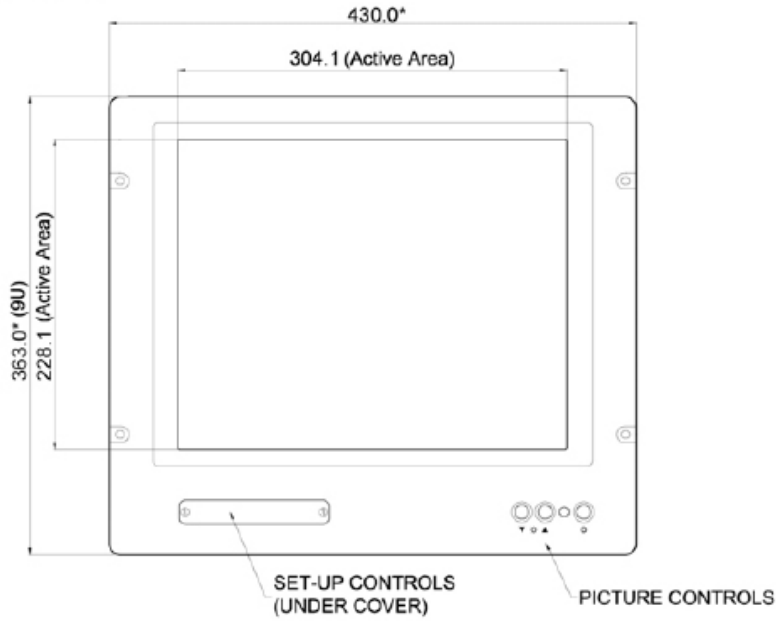
Electrical Description		Mechanical Description	
TFT Characteristics:	Type:	15" a-Si AM TFT	Dimensions: Monitor: 430(w) x 363(h) x 95(d) mm (approx) Weight: 12kg approx
	Max Resolution:	1024 x 768 pixels	Housing Aluminium with toughened safety glass
	Active Display Area:	304.1 x 228.1mm	
	Response Time:	13ms	
	Contrast Ratio:	450:1 typical	Environment
	Brightness:	250cd/m ² typical	Operating Temp: 0°C to +50°C
	Viewing Angles (at CR>10):	130° / 110°	Storage Temp: -20°C to 65°C
	No. Colours:	16.7 million	Sealing: IP65min
			Operating Humidity: 50% to 90% (non condensing)
Connector:	MIL type		Storage Humidity: 28% to 90% (non condensing)
Synchronisation Range:			
	Horizontal scan: Vertical scan:	15kHz (PAL) - 63.81kHz 56 - 60Hz	Emission: Mil-STD-461E Immunity: Mil-STD-461E Safety: EN 60950 Shock: Mil-STD-810F Vibration: Mil-STD-810F Marine: IEC 60945
Display Modes:	640 x 480 800 x 600 1024 x 768 (recommended mode)		
	Controls:	Front panel	
Power Supply:	15-30V DC		
Power Consumption:	50W (Max)		Part Numbers:
			Model number: 29LR153D35MP--M AC Monitor: 29LR153A35MP-M AC Touchscreen (resistive): 29LR153AR35MP-M DC Touchscreen (resistive): 29LR153DR35MP-M
Due to a policy of continuous product development KME reserves the right to change specifications and descriptions without prior notification. All trademarks acknowledged.			

15" RACKMOUNT MILITARY MONITOR

29LR153D35MP-M

DATASHEET

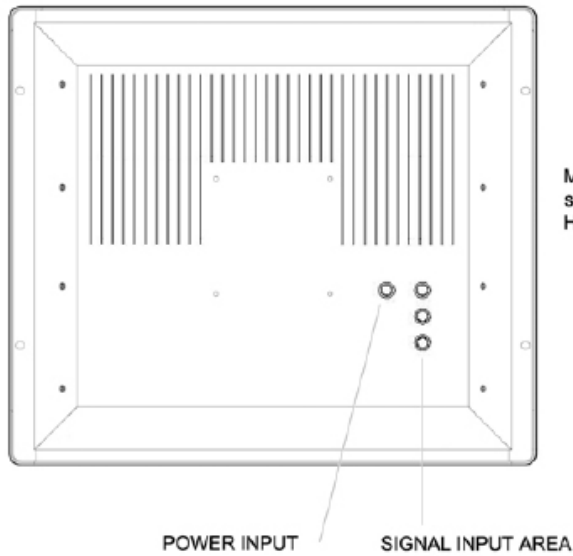
FRONT VIEW



SIDE VIEW



REAR VIEW



M4 Fixings on VESA standard (100mm) Hole centres.

* All dimensions are approximates in millimetres (Not to scale)

17" RACKMOUNT MILITARY MONITOR

29LR173A35MP-M

DATASHEET

HIGH QUALITY, RUGGED MILITARY DISPLAY

The 29LR173A35MP-M Series of LCD monitors has been designed for industrial applications that require a compact VGA/SVGA compatible monitor with good viewability. It is constructed from painted aluminium, making it lightweight with good rigidity.

The 29LR173A35MP-M Series incorporates rugged chassis construction for shock and vibration. With wide viewing angles and deep dimming capabilities, this series of monitors is ideal for the more demanding of applications. The 35MP-M series has been designed to comply with military standards for shock & vibration and EMC.

SOLUTIONS FOR THE MILITARY ENVIRONMENT

- > Designed to comply with MIL-STD Shock, Vibration and EMC
- > Advanced Deep Dimming 2000:1
- > Contrast Enhancing AR Safety Glass
- > VGA – XGA & PAL/NTSC



17" RACKMOUNT MILITARY MONITOR

29LR173A35MP-M

DATASHEET

Electrical Description		Mechanical Description	
TFT Characteristics:		Dimensions:	Monitor: 440 x 352 x TBD (approx)
Type:	AM Colour TFT		
Max Resolution:	1280 x 1024 pixels	Housing	Aluminium
Active Display Area:	337.9 x 270.3mm		
Response Time:	10ms average, typical		
Contrast Ratio:	1000:1 typical @ CR≥10	Environment	
Brightness:	250cd/m ² typical	Operating Temp:	-10°C to +50°C
Viewing Angles (at CR>10):	178 ° / 178 °	Storage Temp:	-20°C to 60°C
No. Colours:	16 million	Sealing:	IP65min
		Operating Humidity:	50% to 90% (non condensing)
Connector:	Power: 851-02R123P50 Signal: 8STO-12G35SN	Storage Humidity:	28% to 90% (non condensing)
Synchronisation Range:			
Horizontal scan:	15kHz (PAL) - 91kHz	Shock:	Mil-STD-810F
Vertical scan:	56 - 85Hz	Vibration:	Mil-STD-461E
Display Modes:	1280 x 1024 SXGA (recommended) 1024 x 768 XGA 800 x 600 SVGA 640 x 480 VGA		
Power Supply:	90 - 260V AC 50/60Hz		
Power Consumption:	60W (Max)	Part Numbers:	
		Model number:	29LR173A35MP--M
		DC Monitor:	29LR173D35MP-M
		AC Touchscreen (resistive):	29LR173AR35MP-M
		DC Touchscreen (resistive):	29LR173DR35MP-M

Due to a policy of continuous product development KME reserves the right to change specifications and descriptions without prior notification. All trademarks acknowledged.

17" RACKMOUNT MILITARY MONITOR

29LR173D35MP-M

DATASHEET

HIGH QUALITY, RUGGED MILITARY DISPLAY

The 29LR173D35MP-M Series of LCD monitors has been designed for industrial applications that require a compact VGA/SVGA compatible monitor with good viewability. It is constructed from painted aluminium, making it lightweight with good rigidity.

The 29LR173D35MP-M Series incorporates rugged chassis construction for shock and vibration. With wide viewing angles and deep dimming capabilities, this series of monitors is ideal for the more demanding of applications. The 35MP-M series has been designed to comply with military standards for shock & vibration and EMC.

SOLUTIONS FOR THE MILITARY ENVIRONMENT

- > Designed to comply with MIL-STD Shock, Vibration and EMC
- > Advanced Deep Dimming 2000:1
- > Contrast Enhancing AR Safety Glass
- > VGA – XGA & PAL/NTSC



17" RACKMOUNT MILITARY MONITOR

29LR173D35MP-M

DATASHEET

Electrical Description		Mechanical Description	
TFT Characteristics:		Dimensions:	Monitor: 440 x 352 x TBD (approx)
Type:	AM Colour TFT		
Max Resolution:	1280 x 1024 pixels	Housing	Aluminium
Active Display Area:	337.9 x 270.3mm		
Response Time:	10ms average, typical		
Contrast Ratio:	1000:1 typical @ CR≥10	Environment	
Brightness:	250cd/m ² typical	Operating Temp:	-10°C to +50°C
Viewing Angles (at CR>10):	178 ° / 178 °	Storage Temp:	-20°C to 60°C
No. Colours:	16 million	Sealing:	IP65min
		Operating Humidity:	50% to 90% (non condensing)
Connector:	Power: 851-02R123P50 Signal: 8STO-12G35SN	Storage Humidity:	28% to 90% (non condensing)
Synchronisation Range:			
Horizontal scan:	15kHz (PAL) - 91kHz	Shock:	Mil-STD-810F
Vertical scan:	56 - 85Hz	Vibration:	Mil-STD-461E
Display Modes:	1280 x 1024 SXGA (recommended) 1024 x 768 XGA 800 x 600 SVGA 640 x 480 VGA		
Power Supply:	15-30V DC		
Power Consumption:	60W (Max)	Part Numbers:	
		Model number:	29LR173D35MP--M
		AC Monitor:	29LR173A35MP-M
		AC Touchscreen (resistive):	29LR173AR35MP-M
		DC Touchscreen (resistive):	29LR173DR35MP-M

Due to a policy of continuous product development KME reserves the right to change specifications and descriptions without prior notification. All trademarks acknowledged.

19" RACKMOUNT MILITARY MONITOR

29LR193A35MP-M

DATASHEET

HIGH QUALITY, RUGGED MILITARY DISPLAY

The 29LR193A35MP-M series of LCD monitors has been designed for military applications that require a compact VGA/SVGA compatible monitor with good viewability. It is constructed from painted Aluminium, making it lightweight with good rigidity.

The 29LR193A35MP-M series incorporates rugged chassis construction for shock and vibration. With wide viewing angles and deep dimming capabilities, this series of monitors is ideal for the more demanding of applications. The 35MP-M series has been designed to comply with military standards for shock & vibration and EMC.

SOLUTIONS FOR THE MILITARY ENVIRONMENT

- > Designed to comply with MIL-STD Shock, Vibration and EMC
- > Advanced Deep Dimming 2000:1
- > Contrast Enhancing AR Safety Glass
- > VGA – XGA & PAL/NTSC



19" RACKMOUNT MILITARY MONITOR

29LR193A35MP-M

DATASHEET

Electrical Description		Mechanical Description	
TFT Characteristics:		Dimensions:	Monitor: 453 x 397 x TBD (approx)
Type:	AM Colour TFT		
Max Resolution:	1280 x 1024 pixels	Housing	Aluminium
Active Display Area:	376 x 301mm		
Response Time:	10ms average, typical		
Contrast Ratio:	1000:1 typical @ CR≥10	Environment	
Brightness:	250cd/m ² typical	Operating Temp:	-10°C to +50°C
Viewing Angles (at CR>10):	178 ° / 178 °	Storage Temp:	-20°C to 60°C
No. Colours:	16 million	Sealing:	IP65min
		Operating Humidity:	50% to 90% (non condensing)
Connector:	Power: 851-02R123P50 Signal: 8STO-12G35SN	Storage Humidity:	28% to 90% (non condensing)
Synchronisation Range:			
Horizontal scan:	15kHz (PAL) - 91kHz	Shock:	Mil-STD-810F
Vertical scan:	56 - 85Hz	Vibration:	Mil-STD-461E
Display Modes:	1280 x 1024 SXGA (recommended) 1024 x 768 XGA 800 x 600 SVGA 640 x 480 VGA		
Power Supply:	90 - 260V AC 50/60Hz		
Power Consumption:	60W (Max)	Part Numbers:	
		Model number:	29LR193A35MP--M
		DC Monitor:	29LR193D35MP-M
		AC Touchscreen (resistive):	29LR193AR35MP-M
		DC Touchscreen (resistive):	29LR193DR35MP-M

Due to a policy of continuous product development KME reserves the right to change specifications and descriptions without prior notification. All trademarks acknowledged.

19" RACKMOUNT MILITARY MONITOR

29LR193D35MP-M

DATASHEET

HIGH QUALITY, RUGGED MILITARY DISPLAY

The 29LR193D35MP-M series of LCD monitors has been designed for military applications that require a compact VGA/SVGA compatible monitor with good viewability. It is constructed from painted Aluminium, making it lightweight with good rigidity.

The 29LR193D35MP-M series incorporates rugged chassis construction for shock and vibration. With wide viewing angles and deep dimming capabilities, this series of monitors is ideal for the more demanding of applications. The 35MP-M series has been designed to comply with military standards for shock & vibration and EMC.

SOLUTIONS FOR THE MILITARY ENVIRONMENT

- > Designed to comply with MIL-STD Shock, Vibration and EMC
- > Advanced Deep Dimming 2000:1
- > Contrast Enhancing AR Safety Glass
- > VGA – XGA & PAL/NTSC



19" RACKMOUNT MILITARY MONITOR

29LR193D35MP-M

DATASHEET

Electrical Description		Mechanical Description	
TFT Characteristics:		Dimensions:	Monitor: 453 x 397 x TBD (approx)
Type:	AM Colour TFT		
Max Resolution:	1280 x 1024 pixels	Housing	Aluminium
Active Display Area:	376 x 301mm		
Response Time:	10ms average, typical		
Contrast Ratio:	1000:1 typical @ CR≥10	Environment	
Brightness:	250cd/m ² typical	Operating Temp:	-10°C to +50°C
Viewing Angles (at CR>10):	178 ° / 178 °	Storage Temp:	-20°C to 60°C
No. Colours:	16 million	Sealing:	IP65min
		Operating Humidity:	50% to 90% (non condensing)
Connector:	Power: 851-02R123P50 Signal: 8STO-12G35SN	Storage Humidity:	28% to 90% (non condensing)
Synchronisation Range:			
Horizontal scan:	15kHz (PAL) - 91kHz	Shock:	Mil-STD-810F
Vertical scan:	56 - 85Hz	Vibration:	Mil-STD-461E
Display Modes:	1280 x 1024 SXGA (recommended) 1024 x 768 XGA 800 x 600 SVGA 640 x 480 VGA		
Power Supply:	15-30V DC		
Power Consumption:	60W (Max)	Part Numbers:	
		Model number:	29LR193D35MP--M
		AC Monitor:	29LR193A35MP-M
		AC Touchscreen (resistive):	29LR193AR35MP-M
		DC Touchscreen (resistive):	29LR193DR35MP-M

Due to a policy of continuous product development KME reserves the right to change specifications and descriptions without prior notification. All trademarks acknowledged.

20.1" RACKMOUNT MILITARY MONITOR

29LR203A31MP-M

DATASHEET

HIGH QUALITY, RUGGED MILITARY DISPLAY

The 29LR203A31MP-M Series of LCD monitors has been designed for industrial applications that require a compact VGA/UXGA compatible monitor with good viewability. It is constructed from painted Aluminium, making it lightweight with good rigidity.

The 29LR203A31MP-M Series incorporates rugged chassis construction for shock and vibration. With wide viewing angles and deep dimming capabilities, this series of monitors is ideal for the more demanding of applications. The 31MP-M series has been designed to comply with military standards for shock & vibration and EMC.

SOLUTIONS FOR THE MILITARY ENVIRONMENT

- > Designed to comply with MIL-STD Shock, Vibration and EMC
- > Advanced Deep Dimming 2000:1
- > Contrast Enhancing AR Safety Glass
- > VGA – UXGA & PAL/NTSC



20.1" RACKMOUNT MILITARY MONITOR

29LR203A31MP-M

DATASHEET

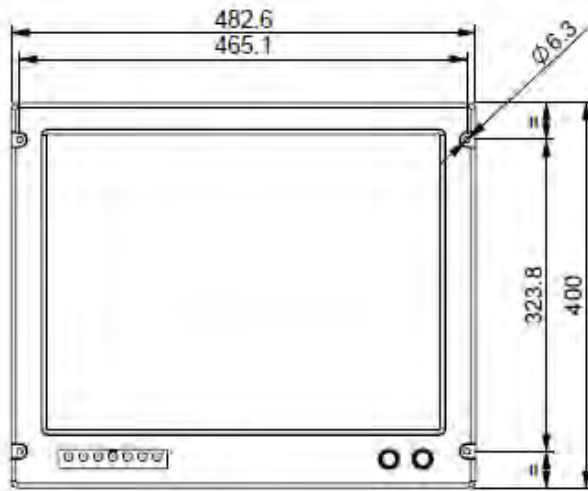
Electrical Description		Mechanical Description	
TFT Characteristics:		Dimensions:	Monitor: 482.6(w) x 400(h) x 106.7(d) mm (approx) Weight: TBD
Type:	AM Colour TFT		
Max Resolution:	1600 x 1200 pixels	Housing	Aluminium
Active Display Area:	408 x 306mm		
Response Time:	8ms average, typical		
Contrast Ratio:	800:1 typical	Environment	
Brightness:	280cd/m ² typical	Operating Temp:	-15°C to +55°C
Viewing Angles (at CR>10):	178 ° / 178 °	Storage Temp:	-20°C to 60°C
No. Colours:	16 million	Sealing:	IP65min
		Operating Humidity:	30% to 90% (non condensing)
Connector:	Power: 851-02R123P50 Signal: 8STO-12G35SN	Storage Humidity:	10% to 90% (non condensing)
Synchronisation Range:			
Horizontal scan:	15kHz (PAL) -91kHz	Shock:	Mil-STD-810F
Vertical scan:	56 - 85Hz	Vibration:	Mil-STD-810F
		EMC:	MIL-STD – 461E
Display Modes:	1600 x 1200 UXGA (recommended mode) 1280 x 1024 SXGA 1024 x 768 XGA 800 x 600 SVGA 640 x 480 VGA		
Controls:	Front panel		
Power Supply:	90 - 260V AC 50/60Hz		
Power Consumption:	60W (Max)	Part Numbers:	
		Model number:	29LR203A31MP--M
		DC Monitor:	29LR203D31MP-M
		AC Touchscreen (resistive):	29LR203AR31MP-M
		DC Touchscreen (resistive):	29LR203DR31MP-M

Due to a policy of continuous product development KME reserves the right to change specifications and descriptions without prior notification. All trademarks acknowledged.

20.1" RACKMOUNT MILITARY MONITOR

29LR203A31MP-M

DATASHEET



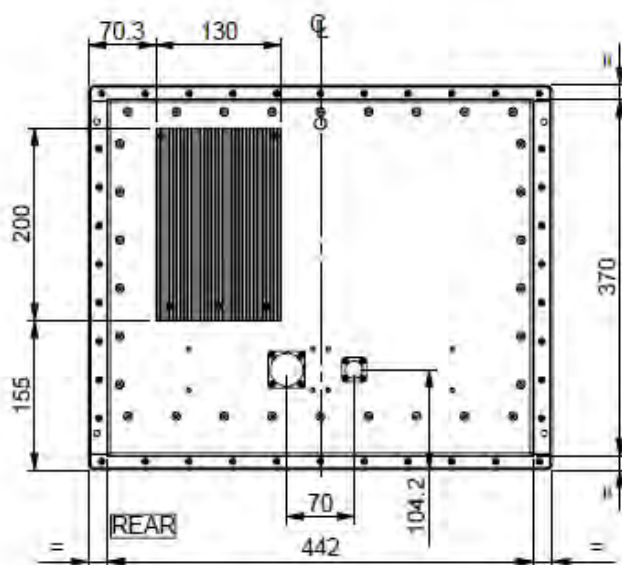
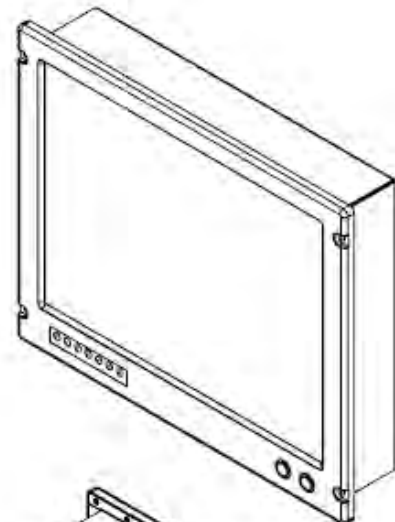
FRONT



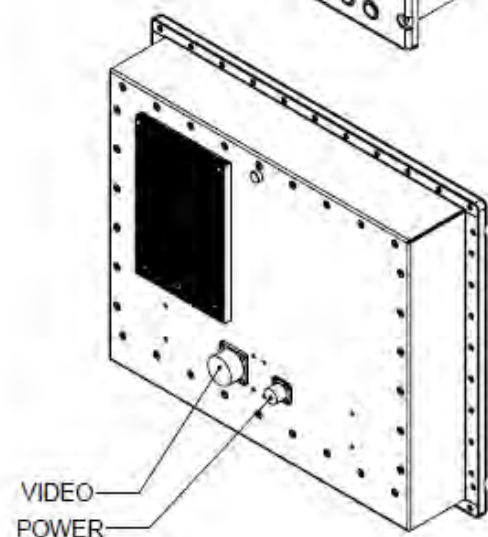
SIDE



BOTTOM



REAR



20.1" RACKMOUNT MILITARY MONITOR

29LR203D31MP-M

DATASHEET

HIGH QUALITY, RUGGED MILITARY DISPLAY

The 29LR203D31MP-M Series of LCD monitors has been designed for industrial applications that require a compact VGA/UXGA compatible monitor with good viewability. It is constructed from painted Aluminium, making it lightweight with good rigidity.

The 29LR203D31MP-M Series incorporates rugged chassis construction for shock and vibration. With wide viewing angles and deep dimming capabilities, this series of monitors is ideal for the more demanding of applications. The 31MP-M series has been designed to comply with military standards for shock & vibration and EMC.

SOLUTIONS FOR THE MILITARY ENVIRONMENT

- > Designed to comply with MIL-STD Shock, Vibration and EMC
- > Advanced Deep Dimming 2000:1
- > Contrast Enhancing AR Safety Glass
- > VGA – UXGA & PAL/NTSC



20.1" RACKMOUNT MILITARY MONITOR

29LR203D31MP-M

DATASHEET

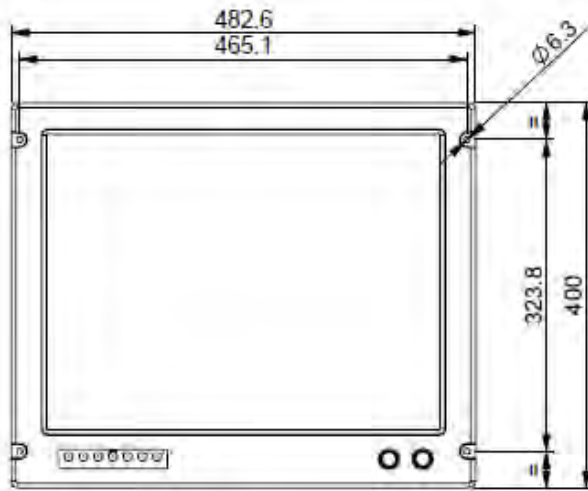
Electrical Description		Mechanical Description	
TFT Characteristics:		Dimensions:	Monitor: 482.6(w) x 400(h) x 106.7(d) mm (approx) Weight: TBD
Type:	AM Colour TFT		
Max Resolution:	1600 x 1200 pixels	Housing	Aluminium
Active Display Area:	408 x 306mm		
Response Time:	8ms average, typical		
Contrast Ratio:	800:1 typical	Environment	
Brightness:	280cd/m ² typical	Operating Temp:	-15°C to +55°C
Viewing Angles (at CR>10):	178 ° / 178 °	Storage Temp:	-20°C to 60°C
No. Colours:	16 million	Sealing:	IP65min
		Operating Humidity:	30% to 90% (non condensing)
Connector:	Power: 851-02R123P50 Signal: 8STO-12G35SN	Storage Humidity:	10% to 90% (non condensing)
Synchronisation Range:			
Horizontal scan:	15kHz (PAL) -91kHz	Shock:	Mil-STD-810F
Vertical scan:	56 - 85Hz	Vibration:	Mil-STD-810F
		EMC:	MIL-STD – 461E
Display Modes:	1600 x 1200 UXGA (recommended mode) 1280 x 1024 SXGA 1024 x 768 XGA 800 x 600 SVGA 640 x 480 VGA		
Controls:	Front panel		
Power Supply:	24V DC		
Power Consumption:	60W (Max)	Part Numbers:	
		Model number:	29LR203D31MP--M
		AC Monitor:	29LR203A31MP-M
		AC Touchscreen (resistive):	29LR203AR31MP-M
		DC Touchscreen (resistive):	29LR203DR31MP-M

Due to a policy of continuous product development KME reserves the right to change specifications and descriptions without prior notification. All trademarks acknowledged.

20.1" RACKMOUNT MILITARY MONITOR

29LR203D31MP-M

DATASHEET



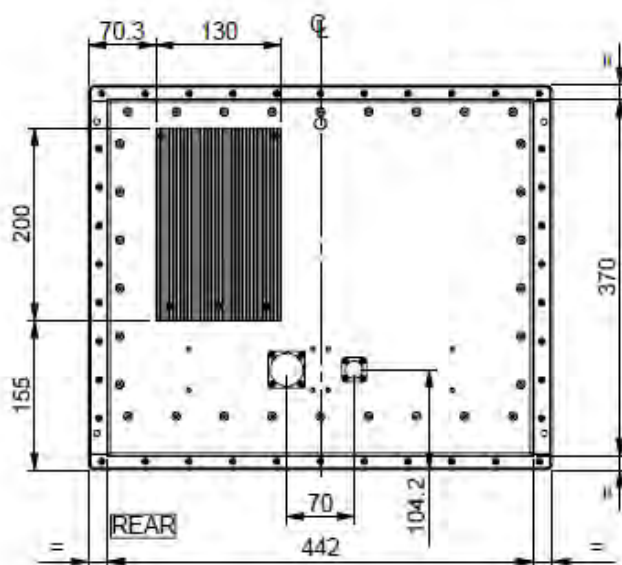
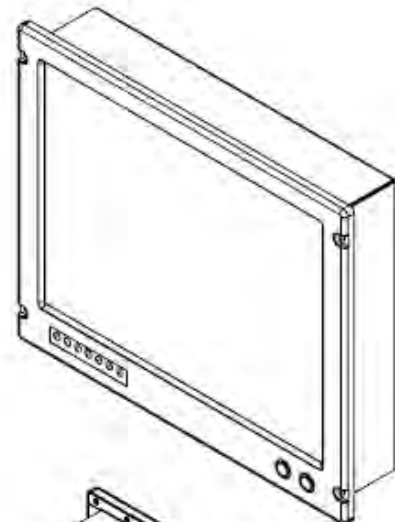
FRONT



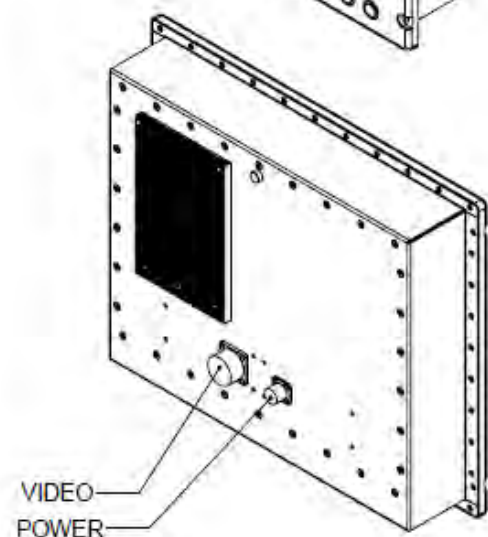
SIDE



BOTTOM



REAR



20.1" WIDESCREEN RACKMOUNT MILITARY MONITOR

29LR203WA35MP-M

DATASHEET

HIGH QUALITY, RUGGED MILITARY DISPLAY

The 29LR203WA35MP-M Series of LCD monitors has been designed for military applications that require a compatible monitor with good viewability. It is constructed from painted Aluminium, making it lightweight with good rigidity.

The 29LR201WA31MP-M Series incorporates rugged chassis construction for shock and vibration. With wide viewing angles and deep dimming capabilities, this series of monitors is ideal for the more demanding of applications. The 31MP-M series has been designed to comply with military standards for shock & vibration and EMC.

SOLUTIONS FOR THE MILITARY ENVIRONMENT

- > Designed to comply with MIL-STD Shock, Vibration and EMC
- > Advanced Deep Dimming 2000:1
- > Contrast Enhancing AR Safety Glass
- > VGA – XGA & PAL/NTSC



20.1" WIDESCREEN RACKMOUNT MILITARY MONITOR

DATASHEET

29LR203WA35MP-M

Electrical Description		Mechanical Description	
TFT Characteristics:		Dimensions:	Monitor: 540x370x110mm (TBC) (approx)
Type:	AM Colour TFT		
Max Resolution:	1680 x 1050 pixels	Housing	Aluminium
Active Display Area:	433 x 270mm		
		Environment	
		Operating Temp:	-15°C to +55°C
Viewing Angles (at CR>10):	160 ° / 160 °	Storage Temp:	-20°C to 60°C
No. Colours:	16 million	Sealing:	IP65min
Sync:	Analog RGB 0.7-1.0V p-p		
Connector:	Power: 851-02R123P50 Signal: 8STO-12G35SN		
Synchronisation Range:			
Horizontal scan:	15kHz (PAL) -91kHz	Shock:	Mil-STD-810F
Vertical scan:	56 - 85Hz	Vibration:	Mil-STD-810F
		EMC:	MIL-STD – 461E
Display Modes:	1600 x 1200 UXGA (recommended mode) 1280 x 1024 SXGA 1024 x 768 XGA 800 x 600 SVGA 640 x 480 VGA		
Controls:	Front panel		
Power Supply:	90 - 260V AC 50-60Hz		
Power Consumption:	60W (Max)	Part Numbers:	
		Model number:	29LR203WA35MP--M
		AC Touchscreen (resistive):	29LR233AR35MP-M

Due to a policy of continuous product development KME reserves the right to change specifications and descriptions without prior notification. All trademarks acknowledged.

21.3" RACKMOUNT MILITARY MONITOR

29LR213A35MP-M

DATASHEET

HIGH QUALITY, RUGGED MILITARY DISPLAY

The 29LR213A35MP-M Series of LCD monitors has been designed for industrial applications that require a compact VGA-UXGA compatible monitor with good viewability. It is constructed from painted Aluminium, making it lightweight with good rigidity.

The 29LR213A35MP-M Series incorporates rugged chassis construction for shock and vibration. With wide viewing angles and deep dimming capabilities, this series of monitors is ideal for the more demanding of applications. The 35MP-M series has been designed to comply with military standards for shock & vibration and EMC.

SOLUTIONS FOR THE MILITARY ENVIRONMENT

- > Designed to comply with MIL-STD Shock, Vibration and EMC
- > Advanced Deep Dimming 2000:1
- > Contrast Enhancing AR Safety Glass
- > VGA – XGA & PAL/NTSC



21.3" RACKMOUNT MILITARY MONITOR

29LR213A35MP-M

DATASHEET

Electrical Description		Mechanical Description	
TFT Characteristics:		Dimensions:	Monitor: 483 x 478 x TBD (approx)
Type:	AM Colour TFT		
Max Resolution:	1600 x 1200 pixels	Housing	Aluminium
Active Display Area:	432 x 324 mm		
Response Time:	15ms average, typical		
Contrast Ratio:	800:1 typical	Environment	
Brightness:	280cd/m ² typical	Operating Temp:	-10°C to +50°C
Viewing Angles (at CR>10):	178 ° / 178 °	Storage Temp:	-20°C to 60°C
No. Colours:	16.7 million	Sealing:	IP65min
Connector:	Power: 851-02R123P50 Signal: 8STO-12G35SN		
Synchronisation Range:			
Horizontal scan:	15kHz (PAL) -91kHz	Shock:	Mil-STD-810F
Vertical scan:	56 - 85Hz	Vibration:	Mil-STD-810F
		EMC:	MIL-STD – 461E
Display Modes:	1600 x 1200 UXGA (recommended mode) 1280 x 1024 SXGA 1024 x 768 XGA 800 x 600 SVGA 640 x 480 VGA		
Controls:	Front panel		
Power Supply:	90 - 260V AC 50/60Hz		
Power Consumption:	85W (Max)	Part Numbers:	
		Model number:	29LR213A35MP--M
		DC Monitor:	29LR213D35MP-M
		AC Touchscreen (resistive):	29LR213AR35MP-M
		DC Touchscreen (resistive):	29LR213DR35MP-M

Due to a policy of continuous product development KME reserves the right to change specifications and descriptions without prior notification. All trademarks acknowledged.

21.3" RACKMOUNT MILITARY MONITOR

29LR213D35MP-M

DATASHEET

HIGH QUALITY, RUGGED MILITARY DISPLAY

The 29LR213D35MP-M Series of LCD monitors has been designed for industrial applications that require a compact VGA-UXGA compatible monitor with good viewability. It is constructed from painted Aluminium, making it lightweight with good rigidity.

The 29LR213D35MP-M Series incorporates rugged chassis construction for shock and vibration. With wide viewing angles and deep dimming capabilities, this series of monitors is ideal for the more demanding of applications. The 35MP-M series has been designed to comply with military standards for shock & vibration and EMC.

SOLUTIONS FOR THE MILITARY ENVIRONMENT

- > Designed to comply with MIL-STD Shock, Vibration and EMC
- > Advanced Deep Dimming 2000:1
- > Contrast Enhancing AR Safety Glass
- > VGA – XGA & PAL/NTSC



21.3" RACKMOUNT MILITARY MONITOR

29LR213D35MP-M

DATASHEET

Electrical Description		Mechanical Description	
TFT Characteristics:		Dimensions:	Monitor: 483 x 478 x TBD (approx)
Type:	AM Colour TFT		
Max Resolution:	1600 x 1200 pixels	Housing	Aluminium
Active Display Area:	432 x 324 mm		
Response Time:	15ms average, typical		
Contrast Ratio:	800:1 typical	Environment	
Brightness:	280cd/m ² typical	Operating Temp:	-10°C to +50°C
Viewing Angles (at CR>10):	178 ° / 178 °	Storage Temp:	-20°C to 60°C
No. Colours:	16.7 million	Sealing:	IP65min
Connector:	Power: 851-02R123P50 Signal: 8STO-12G35SN		
Synchronisation Range:			
Horizontal scan:	15kHz (PAL) -91kHz	Shock:	Mil-STD-810F
Vertical scan:	56 - 85Hz	Vibration:	Mil-STD-810F
		EMC:	MIL-STD – 461E
Display Modes:	1600 x 1200 UXGA (recommended mode) 1280 x 1024 SXGA 1024 x 768 XGA 800 x 600 SVGA 640 x 480 VGA		
Controls:	Front panel		
Power Supply:	15-30V DC		
Power Consumption:	85W (Max)	Part Numbers:	
		Model number:	29LR213D35MP--M
		AC Monitor:	29LR213A35MP-M
		AC Touchscreen (resistive):	29LR213AR35MP-M
		DC Touchscreen (resistive):	29LR213DR35MP-M

Due to a policy of continuous product development KME reserves the right to change specifications and descriptions without prior notification. All trademarks acknowledged.

23.1" RACKMOUNT MILITARY MONITOR

29LR233A35MP-M

DATASHEET

HIGH QUALITY, RUGGED MILITARY DISPLAY

The 29LR233A35MP-M Series of LCD monitors has been designed for industrial applications that require a compact VGA/UXGA compatible monitor with good viewability. It is constructed from painted Aluminium, making it lightweight with good rigidity.

The 29LR233A35MP-M Series incorporates rugged chassis construction for shock and vibration. With wide viewing angles and deep dimming capabilities, this series of monitors is ideal for the more demanding of applications. The 35MP-M series has been designed to comply with military standards for shock & vibration and EMC.

SOLUTIONS FOR THE MILITARY ENVIRONMENT

- > Designed to comply with MIL-STD Shock, Vibration and EMC
- > Advanced Deep Dimming 2000:1
- > Contrast Enhancing AR Safety Glass
- > VGA – XGA & PAL/NTSC



23.1" RACKMOUNT MILITARY MONITOR

29LR233A35MP-M

DATASHEET

Electrical Description		Mechanical Description	
TFT Characteristics:		Dimensions:	Monitor: 584(w) x 534(h) x 98(d) mm (approx) Weight: 16kg approx
Type:	AM Colour TFT		
Max Resolution:	1600 x 1200 pixels	Housing	Aluminium
Active Display Area:	432 x 324 mm		
Response Time:	15ms average, typical		
Contrast Ratio:	800:1 typical	Environment	
Brightness:	280cd/m ² typical	Operating Temp:	-15°C to +55°C
Viewing Angles (at CR>10):	178 ° / 178 °	Storage Temp:	-20°C to 60°C
No. Colours:	16.7 million	Sealing:	IP65min
		Operating Humidity:	30% to 90% (non condensing)
Connector:	Power: 851-02R123P50 Signal: 8STO-12G35SN	Storage Humidity:	10% to 90% (non condensing)
Synchronisation Range:			
Horizontal scan:	15kHz (PAL) -91kHz	Shock:	Mil-STD-810F
Vertical scan:	56 - 85Hz	Vibration:	Mil-STD-810F
		EMC:	MIL-STD – 461E
Display Modes:	1600 x 1200 UXGA (recommended mode) 1280 x 1024 SXGA 1024 x 768 XGA 800 x 600 SVGA 640 x 480 VGA		
Controls:	Front panel		
Power Supply:	90 - 260V AC 50/60Hz		
Power Consumption:	85W (Max)	Part Numbers:	
		Model number:	29LR233A35MP--M
		DC Monitor:	29LR233D35MP-M
		AC Touchscreen (resistive):	29LR233AR35MP-M
		DC Touchscreen (resistive):	29LR233DR35MP-M

Due to a policy of continuous product development KME reserves the right to change specifications and descriptions without prior notification. All trademarks acknowledged.

23.1" RACKMOUNT MILITARY MONITOR

29LR233D35MP-M

HIGH QUALITY, RUGGED MILITARY DISPLAY

The 29LR233D35MP-M Series of LCD monitors has been designed for industrial applications that require a compact VGA/UXGA compatible monitor with good viewability. It is constructed from painted Aluminium, making it lightweight with good rigidity.

The 29LR233D35MP-M Series incorporates rugged chassis construction for shock and vibration. With wide viewing angles and deep dimming capabilities, this series of monitors is ideal for the more demanding of applications. The 35MP-M series has been designed to comply with military standards for shock & vibration and EMC.

SOLUTIONS FOR THE MILITARY ENVIRONMENT

- > Designed to comply with MIL-STD Shock, Vibration and EMC
- > Advanced Deep Dimming 2000:1
- > Contrast Enhancing AR Safety Glass
- > VGA – XGA & PAL/NTSC



23.1" RACKMOUNT MILITARY MONITOR

29LR233D35MP-M

DATASHEET

Electrical Description		Mechanical Description	
TFT Characteristics:		Dimensions:	Monitor: 584(w) x 534(h) x 98(d) mm (approx) Weight: 16kg approx
Type:	AM Colour TFT		
Max Resolution:	1600 x 1200 pixels	Housing	Aluminium
Active Display Area:	432 x 324 mm		
Response Time:	15ms average, typical		
Contrast Ratio:	800:1 typical	Environment	
Brightness:	280cd/m ² typical	Operating Temp:	-15°C to +55°C
Viewing Angles (at CR>10):	178 ° / 178 °	Storage Temp:	-20°C to 60°C
No. Colours:	16.7 million	Sealing:	IP65min
		Operating Humidity:	30% to 90% (non condensing)
Connector:	Power: 851-02R123P50 Signal: 8STO-12G35SN	Storage Humidity:	10% to 90% (non condensing)
Synchronisation Range:			
Horizontal scan:	15kHz (PAL) -91kHz	Shock:	Mil-STD-810F
Vertical scan:	56 - 85Hz	Vibration:	Mil-STD-810F
		EMC:	MIL-STD – 461E
Display Modes:	1600 x 1200 UXGA (recommended mode) 1280 x 1024 SXGA 1024 x 768 XGA 800 x 600 SVGA 640 x 480 VGA		
Controls:	Front panel		
Power Supply:	15 - 30V DC		
Power Consumption:	85W (Max)	Part Numbers:	
		Model number:	29LR233D35MP--M
		AC Monitor:	29LR233A35MP-M
		AC Touchscreen (resistive):	29LR233AR35MP-M
		DC Touchscreen (resistive):	29LR233DR35MP-M

Due to a policy of continuous product development KME reserves the right to change specifications and descriptions without prior notification. All trademarks acknowledged.